



Heating and Air Conditioning

TECHNICAL GUIDE

SPLIT-SYSTEM AIR CONDITIONERS

10 SEER

MODELS:

H*RA018 THRU 060

(1.5 THRU 5 NOMINAL TONS, 1 PH)

H*RA036 THRU 090

(3 THRU 7.5 NOMINAL TONS, 3 PH)



MODELS: 018 - 060 (1 PH & 3 PH)



MODELS: 076 - 090 (3 PH)



This product was manufactured in a plant whose quality system is certified/registered as being in conformity with ISO 9001.



Certification applies only when the complete system is listed with ARI.



Due to continuous product improvement, specifications are subject to change without notice.

Visit us on the web at www.york.com for the most up-to-date technical information.

Additional rating information can be found at www.ariprinenet.org.

DESCRIPTION

The 10 SEER Series condensing unit is the outdoor part of a versatile system of air conditioning. It is designed to be custom-matched with one of UPG's complete line of evaporator sections, each designed to serve a specific function. Matching Air Handlers are available for upflow, downflow or horizontal applications to provide a complete system. Electric Heaters are available if required. Add-On coils are available for use with upflow, downflow or horizontal furnaces and air handlers.

WARRANTY

Single Phase Units:

5-year limited parts warranty.

5-year limited compressor warranty.

Three Phase Units:

1-year limited parts warranty.

5-year limited compressor warranty.

FEATURES

- **QUALITY CONDENSER COILS** - The coil is constructed of enhanced copper tube and aluminum fins.
- **COIL PROTECTION** - Coils are protected from damage by a polymer mesh applied between the coil face, and a PVC coated steel coil guard.
- **PROTECTED COMPRESSOR** - The compressor is internally protected against high pressure and temperature. This is accomplished by the simultaneous operation of high pressure relief valve and a temperature sensor which protects the compressor if undesirable operating conditions occur. A liquid line filter-drier further protects the compressor.
- **DURABLE FINISH** - The cabinet is made of pre-painted steel. The pre-treated flat galvanized steel provides a better paint to steel bond, which resists corrosion and rust creep. Special primer formulas and matted desert sand finish insure less fading when exposed to sunlight.
- **LOWER INSTALLED COST** - Installation time and costs are reduced by easy power and control wiring connections. Discharge line heat exchanger knockouts are provided, if required. Available in sweat connect models only. The unit contains enough refrigerant for matching indoor coils and 15 feet of interconnecting piping. The small base dimension means less space is required on the ground or roof.
- **TOP DISCHARGE** - The warm air from the top mounted fan is blown up away from the structure and any landscaping. This allows compact location on multi-unit applications.
- **LOW OPERATING SOUND LEVEL** - The upward air flow carries the normal operating noise up away from the living area. The rigid top panel effectively isolates any motor sound. Isolator mounted compressor and the rippled fins of the condenser coil muffle the normal fan motor and compressor operating sounds.
- **LOW MAINTENANCE** - Long life permanently lubricated motor-bearings need no annual servicing.
- **EASY SERVICE ACCESS** - Fully exposed refrigerant connections, a single panel covering the electrical controls and the molex plug in the control box connecting the condenser fan, make for easy servicing of the unit.
- **SECURED SERVICE VALVES** - Secured re-usable service valves are provided on both the liquid and vapor sweat connections for ease of evacuating and charging.
- **U.L. and C.U.L. listed** - approved for outdoor application.

Certified in accordance with the Unitary Small Equipment certification program, which is based on ARI Standard 210/240.

Physical and Electrical Data - 1 Phase

MODEL		H1RA018S06	H1RA024S06	H2RA030S06	H2RA036S06	H1RA042S06	H1RA048S06	H3RA060S06
Unit Supply Voltage		208/230 – 1 – 60						
Normal Voltage Range ¹		187 to 252						
Minimum Circuit Ampacity		12.5	15.6	17.5	21.5	26.1	30.1	37.3
Max. Overcurrent Device Amps ²		20	25	30	35	40	45	60
Compressor Type ³		Recip	Recip	Recip	Recip	Recip	Recip	Scroll ^B
Compressor Amps	Rated Load	9.6	12.1	13.6	16.1	19.8	23	28.8
	Locked Rotor	54	57	73	82	97	110	160
Crankcase Heater		No	No	No	No	No	No	No
Fan Motor Amps	Rated Load	0.5	0.5	0.5	1.4	1.4	1.3	1.3
Fan Diameter Inches		18	18	18	18	18	22	22
Fan Motor	Rated HP	1/12	1/12	1/12	1/4	1/4	1/4	1/4
	Nominal RPM	1,100	1,100	1,100	1,100	1,100	850	850
	Nominal CFM	1,850	1,850	1,900	2,750	2,750	3,250	3,300
Coil	Face Area Sq. Ft.	8.00	8.00	9.15	9.15	12.58	15.72	15.72
	Rows Deep	1	1	1	1	1	1	1
	Fin / Inches	14	14	18	18	18	18	22
Liquid Line OD		3/8	3/8	3/8	3/8	3/8	3/8	3/8
Vapor Line OD		5/8	5/8	3/4	3/4	3/4	7/8	7/8
Unit Charge (Lbs. - Oz.) ⁴		3 - 6	3 - 11	3 - 14	3 - 15	5 - 4	7 - 5	6 - 2
Charge Per Foot, Oz. ⁴		0.66	0.66	0.68	0.68	0.68	0.70	.070
Operating Weight Lbs.		118	123	135	137	161	176	188

Physical and Electrical Data - 3 Phase

MODEL		H1RA 036S25	H1RA 042S25	H1RA 048S25	H1RA 060S25	H1RA 076S25	H1RA 090S25	H1RA 036S46	H1RA 042S46	H1RA 048S46	H1RA 060S46	H1RA 076S46	H1RA 090S46	
Unit Supply Voltage		208/230 – 3 – 60							460 - 3 - 60					
Normal Voltage Range ¹		187 to 252							432 to 504					
Minimum Circuit Ampacity		15.0	17.4	17.3	21.3	25.8	37.7	8.0	8.4	8.3	10.8	13.0	18.1	
Max. Overcurrent Device Amps ²		25	30	30	35	40	50	15	15	15	15	20	25	
Compressor Type ³		Recip	Recip	Recip	Scroll ^B	Scroll ^B	Dual	Recip	Recip	Recip	Scroll ^B	Scroll ^B	Dual	
Compressor Amps	Rated Load	10.9	12.8	11.7	16.0	18.9	29.4	5.8	6.1	6.1	8.0	9.5	14.0	
	Locked Rotor	78	78	78	125	146	260	40	39	39	67	73	128	
Crankcase Heater		No	No	No	No	No	Yes	No	No	No	No	No	Yes	
Fan Motor Amps	Rated Load	1.4	1.4	1.3	1.3	2.2	4.6	.8	.8	.7	.8	1.2	2.3	
Fan Diameter Inches		18	18	22	22	24	24	18	18	22	22	24	24	
Fan Motor	Rated HP	1/4	1/4	1/4	1/4	1/3	3/4	1/4	1/4	1/5	1/4	1/3	3/4	
	Nominal RPM	1,100	1,100	850	850	1100	1100	1,100	1,100	850	850	1100	1100	
	Nominal CFM	2,750	2,750	3,250	3,450	4000	5000	2,750	2,750	3,250	3,450	4000	5000	
Coil	Face Area Sq. Ft.	9.15	12.58	15.72	23.58	18.0	22.5	9.15	12.58	15.72	23.58	18.0	22.5	
	Rows Deep	1	1	1	1	2	2	1	1	1	1	2	2	
	Fin / Inches	18	18	18	18	16	16	18	18	18	18	16	16	
Liquid Line OD		3/8	3/8	3/8	3/8	1/2	1/2	3/8	3/8	3/8	3/8	1/2	1/2	
Vapor Line OD		3/4	3/4	7/8	7/8	1-1/8	1-1/8	3/4	3/4	7/8	7/8	1-1/8	1-1/8	
Unit Charge (Lbs. - Oz.) ⁴		3 - 15	5 - 4	7 - 5	9 - 7	12-3	15-3	3 - 15	5 - 4	7 - 5	9 - 7	12-3	15-3	
Charge Per Foot, Oz. ⁴		.68	.68	.70	.70	1.26	1.26	.68	.68	.70	.70	1.26	1.26	
Operating Weight Lbs.		170	176	206	228	219	368	170	176	206	228	219	368	

1. Rated in accordance with ARI Standard 110, utilization range "A".

2. Dual element fuses or HACR circuit breaker.

3. All scrolls listed with a superscript "B" are Bristol scrolls. All scrolls listed with a superscript "C" are Copeland scrolls.

4. The Unit Charge is correct for the outdoor unit, matched indoor coil and 15 feet of refrigerant tubing. For tubing lengths other than 15 feet, add or subtract the amount of refrigerant, using the difference in length multiplied by the per foot valve.

Additional R-22 Charge / Orifice Size for Various Matched Systems - 1 PHASE

ADDITIONAL R-22 CHARGE / ORIFICE SIZE FOR VARIOUS MATCHED SYSTEMS							
Outdoor Unit	H1RA018S06	H1RA024S06	H2RA030S06	H2RA036S06	H1RA042S06	H1RA048S06	H3RA060S06
Unit Orifice (s) ¹	51,53,55	59,61,63	67	71,73,75	75,78,81	78,81,84,87	96
Factory R-22 Charge, lbs-oz	3 - 6	3 - 11	3 - 14	3 - 15	5 - 4	7 - 5	6 - 2
Indoor Coil	Coil Orifice ²	System Orifice - Additional Charge, Oz					
G2FD024(S,H)14/17	61	53 + 14	59 + 6	—	—	—	—
G2FD030(S,H)17	65	53 + 23	59 + 8	67 + 3	—	—	—
G2FD035(S,H)14	65	53 + 23	59 + 8	67 + 3	71 + 0	—	—
G2FD036(S,H)17	75	—	59 + 12	67 + 6	71 + 3	—	—
G2FD036(S,H)21	75	—	—	69 + 9	71 + 3	—	—
G2FD042(S,H)21	78	—	—	—	71 + 7	75 + 1	—
G2FD046(S,H)17	78	—	—	—	71 + 7	75 + 1	78 + 6
G2FD048(S,H)21/24	78	—	—	—	—	75 + 9	81 + 15
G2FD060(S,H)24	90	—	—	—	—	78 + 14	81 + 20 96 + 6
G1HD024	59	55 + 6	61 + 1	—	—	—	—
G1HD036	69	—	63 + 7	67 + 7	73 + 9	—	—
G1HD048	81	—	—	—	73 + 15	78 + 8	78 + 9
G1HD060	93	—	—	—	—	—	81 + 16 96 + 1
G1FA/G1UA024S14/17	59	55 + 3	59 + 0	—	—	—	—
G1FA/G1UA030S14	65	53 + 14	59 + 6	65 + 0	—	—	—
G1FA/G1UA036S14	73	—	59 + 4	67 + 4	73 + 0	—	—
G1FA/G1UA03617/21	73	—	59 + 4	67 + 2	73 + 0	—	—
G1FA/G1UA048S17	84	—	—	—	75 + 11	75 + 1	81 + 13
G1FA/G1UA048S21	84	—	—	—	75 + 11	81 + 7	81 + 13
G1FA/G1UA060S24	90	—	—	—	—	81 + 14	81 + 20 96 + 6
G1NA024S17G	51	51 + 0	—	—	—	—	—
G1NA030S17H	57	—	57 + 0	—	—	—	—
G1NA030S17K	63	—	—	63 + 4	—	—	—
G1NA030S21B	57	—	57 + 0	—	—	—	—
G1NA030S21M	63	—	—	63 + 4	—	—	—
G1NA036S17J	67	—	—	—	67 + 7	—	—
G1NA036S21C	67	—	—	—	67 + 7	—	—
G1NA048S21D	78	—	—	—	—	78 + 0	78 + 4
G1NA048S24P	78	—	—	—	—	78 + 0	78 + 4
G1NA060S24T	87	—	—	—	—	—	— 96 + 0
G1NF024SOF	63	—	57 + 0 ³	63 + 4 ³	—	—	—
G1NF036SOF	67	—	—	—	67 + 7 ³	—	—
G1NF048SOF	78	—	—	—	—	78 + 0 ³	78 + 4 ³
G1NF060SOF	87	—	—	—	—	—	— 96 + 11
F2RP/F2FP018	53	51 + 0	—	—	—	—	—
F2RC/F2FC024	61	55 + 3	—	—	—	—	—
F2RP/F2FP024	61	55 + 6	61 + 0	—	—	—	—
F2RP/F2FP030	65	—	61 + 2	67 + 2	—	—	—
F2RC/F2FC036	75	—	—	—	71 + 0	—	—
F2RP/F2FP036	75	—	—	67 + 8	73 + 4	—	—
F2RP/F2FP042	78	—	—	—	73 + 8	75 + 1	—
F2FP048	84	—	—	—	—	73 + 8	87 + 6
F2FP060	90	—	—	—	—	—	87 + 10 96 + 6

FOOTNOTES:

1. These orifices are packed in the customer packet of each outdoor unit.
2. These orifices are factory mounted in the flow control device of each indoor coil.
3. Systems matched with furnaces or air handlers not equipped with blower-off delays, may require blower Time Delay Kit #6918A5011.

PROCEDURES:

1. Unit factory charge listed on the unit nameplate includes refrigerant for the condenser, the smallest evaporator and for 15 feet of interconnecting line tubing.
2. Verify the orifice size and additional charge required for specific evaporator coil in the system using the above table.
3. Additional charge for the amount of interconnecting line tubing greater than 15 feet at the rate specified in the table above.
4. Permanently mark the unit nameplate with the total system charge. Total System Charge = Base Charge (as shipped) + adder for evaporator + adder for line set.
5. If the orifice in the evaporator was changed, verify the evaporator nameplate has been marked with the correct orifice size.

Additional R-22 Charge / Orifice Size for Various Matched Systems - 3 PHASE

ADDITIONAL R-22 CHARGE / ORIFICE SIZE FOR VARIOUS MATCHED SYSTEMS							
Outdoor Unit	H1RA036	H1RA042	H1RA048	H1RA060	H1RA076	H1RA090	
Unit Orifice (s) ¹	67, 71, 73	75, 78, 81	81	90	—	—	
Factory R-22 Charge, lbs-oz	3 - 15	5 - 4	7 - 5	9 - 7	12 - 3	15 - 3	
Indoor Coil	Coil Orifice ²	System Orifice + Additional Charge, Oz					
G1NA036S17J	67	61 + 2	—	—	—	—	—
G1NA036S21C	67	61 + 2	—	—	—	—	—
G1NA048S21D	78	—	78 + 0	78 + 4	—	—	—
G1NA048S24P	78	—	78 + 0	78 + 4	—	—	—
G1NA060S24T	87	—	—	—	87 + 0	—	—
G1FA/G1UA03617/21	73	61 + 0	—	—	—	—	—
G1FA/G1UA048S17	84	—	78 + 5	—	—	—	—
G1FA/G1UA048S21	84	63 + 13	78 + 6	81 + 13	—	—	—
G1FA/G1UA060S24	90	—	78 + 16	—	90 + 5	—	—
G2FD036(S,H)17	75	61 + 3	—	—	—	—	—
G2FD036(S,H)21	75	61 + 5	—	—	—	—	—
G2FD042(S,H)21	78	—	78 + 0	—	—	—	—
G2FD046(S,H)17	78	—	78 + 5	—	—	—	—
G2FD048(S,H)21/24	78	—	78 + 9	81 + 15	—	—	—
G2FD060(S,H)24	90	—	—	—	90 + 5	—	—
F2RC036	75	61 + 0	—	—	—	—	—
F2RP042	78	—	78 + 0	—	—	—	—
			702 + 0				
F2FP048	84	—	78 + 9	81 + 15	—	—	—
F2FP060	90	—	—	—	90 + 5	—	—
K4EU090KDBC090	TXV ³	—	—	—	—	0	0

Footnotes:

1. These orifices are packed in the instruction/warranty packet of each outdoor unit.
2. These orifices are factory mounted in the flow control device of each indoor coil.
3. The TXV is factory mounted in the coil or air handler.

PROCEDURES:

1. Unit factory charge listed on the unit nameplate includes refrigerant for the condenser, the smallest evaporator and for 15 feet of interconnecting line tubing.
2. Verify the orifice size and additional charge required for specific evaporator coil in the system using the above table.
3. Additional charge for the amount of interconnecting line tubing greater than 15 feet at the rate specified in the table above.
4. Permanently mark the unit nameplate with the total system charge. Total System Charge = Base Charge (as shipped) + adder for evaporator + adder for line set.
5. If the orifice in the evaporator was changed, verify the evaporator nameplate has been marked with the correct orifice size.

COOLING CAPACITY - With Air Handler Coils

UNIT MODEL	AIR HANDLER			COIL ¹ MODEL	COOLING					
	MODEL	ELECTRIC ² HEAT KW	W		RATED CFM	NET MBH		SEER W/O TXV	SEER + TXV ³	EER
						TOTAL	SENS.			
1 PH 10 SEER AC WITH N1AH / G2FD										
H1RA018S06	N1AHB0806	2,5,8,10	17	G2FD024(S,H)17	650	19.0	14.1	10.50	-	9.80
H1RA024S06	N1AHB0806	2,5,8,10	17	G2FD024(S,H)17	800	24.4	18.1	10.50	-	9.55
	N1AHB0806	2,5,8,10	17	G2FD030(S,H)17	850	25.0	18.5	10.60	-	9.65
H2RA030S06	N1AHB1206	5,8,10,15,19	17	G2FD030(S,H)17	1000	29.0	21.5	10.30	-	9.45
	N1AHB1206	5,8,10,15,19	17	G2FD036(S,H)17	1000	30.0	22.2	10.50	-	9.65
H2RA036S06	N1AHB1206	5,8,10,15,19	17	G2FD036(S,H)17	1200	33.8	25.0	10.00	-	9.20
	N1AHB1206	5,8,10,15,19	17	G2FD046(S,H)17	1200	34.4	25.5	10.15	-	9.30
H1RA042S06	N1AHC1606	5,8,10,15,20	21	G2FD042(S,H)21	1400	39.5	29.2	10.00	-	9.00
	N1AHC1606	5,8,10,15,20	21	G2FD048(S,H)21	1450	41.0	30.3	10.10	-	9.15
H1RA048S06	N1AHC1606	5,8,10,15,20	21	G2FD048(S,H)21	1600	46.0	34.0	10.10	-	9.50
	N1AHD2006	8,10,15,20,25,30	24	G2FD060(S,H)24	1600	47.0	34.8	10.40	-	9.70
H3RA060S06	N1AHD2006	8,10,15,20,25,30	24	G2FD060(S,H)24	1800	56.0	40.2	10.50	-	9.35
3 PH 10 SEER AC WITH N1AH / G2FD										
H1RA036 S(25,46)	N1AHB1246	10,15	21	G2FD036(S,H)17	1200	33.8	25.0	10.00	-	9.20
	N1AHB1246	10,15	21	G2FD042(S,H)21	1400	40.0	30.1	10.00	-	9.05
H1RA042S(25,46)	N1AHC1646	10,15	21	G2FD042(S,H)21	1400	39.5	29.2	10.00	-	9.00
	N1AHC1646	10,15	24	G2FD048(S,H)21	1450	41.0	30.3	10.10	-	9.15
H1RA048S(25,46)	N1AHC1646	10,15	21	G2FD048(S,H)21	1600	46.0	34.0	10.10	-	9.50
	N1AHD2046	10,15,29	24	G2FD048(S,H)24	1600	24.6	34.0	10.10	-	9.50
H1RA060S(25,46)	N1AHD2046	10,15,29	24	G2FD048(S,H)24	1600	46.0	34.0	10.10	-	9.50
	N1AHD2046	10,15,29	24	G2FD060(S,H)24	1750	58.5	39.8	10.00	-	10.25
1 PH 10 SEER AC / F2RP / RC / FC^{4,5}										
H1RA018S06	F2RC/F2FC024	5,8,10	18	-	650	17.4	12.9	10.00	-	9.00
	F2RP/F2FP018	2,5,8	18	-	650	17.4	12.3	10.00	-	9.00
	F2RP/F2FP024	5,8,10	18	-	650	17.4	12.9	10.00	-	9.00
H1RA024S06	F2RP/F2FP024	5,8,10	18	-	800	23.4	17.3	10.00	-	9.00
	F2RP/F2FP030	5,8,10,15	18	-	800	23.6	17.5	10.00	-	9.10
H2RA030S06	F2RP/F2FP030	5,8,10,15	18	-	1000	28.4	21.0	10.00	-	9.50
	F2RP/F2FP036	5,8,10,15,19	21	-	1000	28.0	20.0	10.00	-	9.00
H2RA036S06	F2RC/F2FC036	5,8,10,15	21	-	1200	33.6	21.5	10.00	-	9.10
	F2RP/F2FP036	5,8,10,15,19	21	-	1200	34.4	25.2	10.20	-	9.30
	F2RP/F2FP042	5,8,10,15	21	-	1200	34.4	25.2	10.15	-	9.20
H1RA042S06	F2RP/F2FP042	5,8,10,15	21	-	1400	39.5	28.9	10.00	-	9.00
	F2FP048	5,8,10,15,20,25	24	-	1400	40.5	30.0	10.00	-	9.20
H1RA048S06	F2FP048	5,8,10,15,20,25	24	-	1600	45.5	33.7	10.00	-	9.15
	F2FP060	5,8,10,15,20,25	24	-	1600	46.5	34.4	10.00	-	9.70
H3RA060S06	F2FP060	5,8,10,15,20,25	24	-	1800	56.0	41.0	10.00	-	9.15
3 PH 10 seer AC with F2RP / FP										
H1RA036 S(25,46)	F2RC/F2FC036	5,8,10,15	21	-	1200	33.6	25.2	10.00	-	9.10
H1RA042S(25,46)	F2RP/F2FP042	5,8,10,15	21	-	1400	39.0	29.2	10.00	-	9.00
	F2FP048	5,8,10,15,20,25	24	-	1400	40.5	30.4	10.00	-	9.00
H1RA048S(25,46)	F2FP048	5,8,10,15,20,25	24	-	1600	45.5	33.7	10.00	-	9.15
H1RA060S(25,46)	F2FP060	5,8,10,15,20,25	24	-	1750	58.5	39.8	10.00	-	9.80
3 PH 10 seer AC WITH K4EV⁶										
H1RA076S25,46	K4EV090	10,16,26,36	22	--	2600	73.5	--	--	--	10.00
H1RA090S25,46	K4EV090	10,16,26,36	22	--	3280	53.8/ 89.0	--	--	--	9.63/ 9.30

Rated in accordance with DOE test procedures (Federal Register 12-27-79 and 3-18-88) and ARI Standards 210/240.

Cooling MBH based on 80°F entering air temperature, 50% RH, and rated air flow.

EER (Energy Efficiency Ratio) is the total cooling output in BTU's at a 95°F outdoor ambient divided by the total electric power in watt-hours at those conditions.

SEER (Seasonal Energy Efficiency Ratio) is the total cooling output in BTU's during a normal annual usage period for cooling divided by the total electric power input in watt-hours during the same period.

- G2FD coils available with a factory installed horizontal drain pan. See price pages for specific model number.
- Single phase units require single phase 2HK heaters. Three phase units require three phase 2HK heaters.
- TXV = Use 1TV700 Series Kit.
- To meet R=4.2 insulation requirements, substitute F2FP for F2RP, and F2FC for F2RC. models. All ratings remain the same.
- FG8, FG9, and FL8 furnaces and F2RP / F2RC air handlers have B.O.D (Blower on Delay) standard.
- H*BA-(T,W)090 is field convertible to two stage operation. Its IPLV = 11.2.

-- = Not Applicable.

COOLING CAPACITY - Upflow, Downflow, & Horizontal Furnaces and Coils

UNIT MODEL	FURNACE**		COIL MODEL	COOLING					
	CFM RANGE (MIN.-MAX.)	W		RATED CFM	NET MBH		SEER W/O TXV	SEER + TXV ¹	EER
					TOTAL	SENS.			
H1RA018S06	575 725	14,17	G1FA024S14,17	650	18.0	13.3	10.00	-	9.20
		14	G1FA030S14	650	19.0	14.1	10.50	-	9.80
		-	G1HD024	655	18.5	13.7	10.50	-	10.00
		17	G1NA024S17G	650	18.0	12.5	10.00	-	9.40
		14,17	G1UA024S14,17	650	18.0	13.3	10.00	-	9.20
		14	G1UA030S14	650	19.0	14.1	10.50	-	9.80
		14,17	G2FD024(S,H)14,17	650	19.0	14.1	10.50	-	9.80
		17	G2FD030(S,H)17	650	19.4	14.4	10.50	-	9.90
		14	G2FD035(S,H)14	650	19.4	14.4	10.50	-	9.90
H1RA024S06	700 900	14,17	G1FA024S14,17	850	23.8	17.6	10.00	-	9.15
		14	G1FA030S14	800	24.4	18.1	10.50	-	9.55
		14	G1FA036S14	800	24.0	18.1	10.00	-	9.00
		17,21	G1FA036S17,21	850	25.0	18.5	10.00	-	8.95
		-	G1HD024	820	23.2	17.2	10.00	-	8.80
		-	G1HD036	800	24.4	18.1	10.60	-	9.80
		17	G1NA030S17H	800	23.6	17.5	10.00	-	9.00
		21	G1NA030S21B	800	23.6	17.5	10.00	-	9.00
		14,17	G1UA024S14,17	850	23.8	17.6	10.00	-	9.15
		14	G1UA030S14	800	24.4	18.1	10.50	-	9.55
		14	G1UA036S14	800	24.0	18.5	10.00	-	9.00
		17,21	G1UA036S17,21	850	25.0	18.5	10.00	-	8.95
		14,17	G2FD024(S,H)14,17	800	24.4	18.5	10.50	-	9.55
		17	G2FD030(S,H)17	850	25.0	18.5	10.60	-	9.65
14	G2FD035(S,H)14	850	25.0	18.9	10.60	-	9.65		
17	G2FD036(S,H)17	850	25.6	18.9	10.70	-	9.70		
H2RA030S06	875 1125	14	G1FA030S14	1000	28.0	20.7	10.00	-	9.30
		14	G1FA036S14	1000	29.2	20.3	10.25	-	9.40
		17,21	G1FA036S17,21	1000	29.0	21.5	10.45	-	9.45
		-	G1HD036	1000	29.6	21.9	10.00	-	9.55
		17	G1NA030S17K	1000	29.0	20.4	10.00	-	9.30
		21	G1NA030S21M	1050	29.0	20.4	10.00	-	9.20
		14	G1UA036S14	1000	29.2	20.3	10.25	-	9.40
		17,21	G1UA036S17,21	1000	29.0	21.5	10.45	-	9.45
		17	G2FD030(S,H)17	1000	29.0	21.5	10.30	-	9.45
		14	G2FD035(S,H)14	1000	29.0	21.5	10.30	-	9.45
21	G2FD036(S,H)21	1000	30.0	22.2	10.50	-	9.65		
H2RA036S06	1050 1350	14	G1FA036S14	1200	33.6	24.9	10.00	-	9.10
		17,21	G1FA036S17,21	1200	33.6	24.9	10.00	-	9.10
		17	G1FA048S17	1200	35.0	25.9	10.30	-	9.40
		21,24	G1FA048S21	1200	36.0	26.6	10.40	-	9.40
		-	G1HD036	1200	34.4	25.5	10.00	-	8.90
		-	G1HD048	1165	34.8	25.8	10.00	-	8.95
		17	G1NA036S17J	1200	34.4	25.5	10.00	-	9.20
		21	G1NA036S21C	1200	34.4	25.5	10.00	-	9.30
		14	G1UA036S14	1200	33.6	24.9	10.00	-	9.10
		17,21	G1UA036S17,21	1200	33.6	24.9	10.00	-	9.10
		17	G1UA048S17	1200	35.0	25.9	10.30	-	9.40
		21,24	G1UA048S21	1200	36.0	26.6	10.40	-	9.40
		14	G2FD035(S,H)14	1200	33.4	24.7	10.00	-	9.10
		17	G2FD036(S,H)17	1200	33.8	25.0	10.00	-	9.20
		21	G2FD036(S,H)21	1200	33.8	25.0	10.00	-	9.20
21	G2FD042(S,H)21	1200	34.4	25.5	10.15	-	9.30		
17	G2FD046(S,H)17	1200	34.4	25.5	10.15	-	9.30		

For Notes See Page 5.

COOLING CAPACITY - Upflow, Downflow, & Horizontal Furnaces and Coils (Continued)

UNIT MODEL	FURNACE**		COIL MODEL	COOLING					
	CFM RANGE (MIN.-MAX.)	W		RATED CFM	NET MBH		SEER W/O TXV	SEER + TXV ¹	EER
					TOTAL	SENS.			
H1RA036S25,46	1050 1350	17,21	G1FA036S17,21	1200	33.6	24.9	10.00	-	9.10
		21,24	G1FA048S21	1200	36.0	26.6	10.40	-	9.40
		17	G1NA036S17J	1200	34.4	25.5	10.00	-	9.20
		21	G1NA036S21C	1200	34.4	25.5	10.00	-	9.30
		17,21	G1UA036S17,21	1200	33.6	24.9	10.00	-	9.10
		21,24	G1UA048S21	1200	36.0	26.6	10.40	-	9.40
		17	G2FD036(S,H)17	1200	33.8	25.0	10.00	-	9.20
		21	G2FD036(S,H)21	1200	33.8	25.0	10.00	-	9.20
H1RA042S06	1225 1575	17	G1FA048S17	1380	40.0	30.2	10.00	-	9.05
		21,24	G1FA048S21	1400	41.0	30.3	10.00	-	9.25
		21,24	G1FA060S21,24	1400	42.0	31.0	10.00	-	9.45
		-	G1HD048	1390	40.5	30.0	10.00	-	9.05
		21	G1NA036S21C	1400	40.0	28.3	10.00	-	9.15
		21	G1NA048S21D	1400	40.5	28.6	10.00	-	9.15
		17	G1UA048S17	1380	40.0	30.2	10.00	-	9.05
		21,24	G1UA048S21	1400	41.0	30.3	10.00	-	9.25
		21,24	G1UA060S21,24	1400	42.0	31.1	10.00	-	9.45
		21	G2FD042(S,H)21	1400	39.5	29.2	10.00	-	9.00
		17	G2FD046(S,H)17	1380	40.0	29.6	10.00	-	9.05
		21,24	G2FD048(S,H)21,24	1450	41.0	30.3	10.10	-	9.15
		24	G2FD060(S,H)24	1450	42.0	31.0	10.10	-	9.50
H1RA042S25,46	1225 1575	21,24	G1FA048S21	1400	41.0	30.3	10.00	-	9.25
		21,24	G1FA060S21,24	1400	42.0	31.0	10.00	-	9.45
		21	G1NA036S21C	1400	40.0	28.3	10.00	-	9.15
		21	G1NA048S21D	1400	40.5	28.6	10.00	-	9.15
		21,24	G1UA048S21	1400	41.0	30.3	10.00	-	9.25
		21,24	G1UA060S21,24	1400	42.0	31.1	10.00	-	9.45
		21	G2FD042(S,H)21	1400	39.5	29.2	10.00	-	9.00
		17	G2FD046(S,H)17	1380	40.0	29.6	10.00	-	9.05
		21,24	G2FD048(S,H)21,24	1450	41.0	30.3	10.10	-	9.15
H1RA048S06	1400 1800	17	G1FA048S17	1500	44.5	33.5	10.00	-	9.15
		21,24	G1FA048S21	1600	45.5	33.7	10.00	-	9.45
		21,24	G1FA060S21,24	1600	47.0	34.8	10.40	-	9.70
		-	G1HD048	1600	45.5	33.7	10.00	-	9.50
		-	G1HD060	1600	46.5	34.4	10.20	-	9.65
		21	G1NA048S21D	1400	46.5	34.4	10.00	-	9.50
		17	G1UA048S17	1500	44.5	33.5	10.00	-	9.15
		21,24	G1UA048S21	1600	45.5	33.7	10.00	-	9.45
		21,24	G1UA060S21,24	1600	47.0	34.8	10.40	-	9.70
		17	G2FD046(S,H)17	1500	44.5	32.9	10.00	-	9.15
		21,24	G2FD048(S,H)21,24	1600	46.0	34.0	10.10	-	9.50
		24	G2FD060(S,H)24	1600	47.0	34.0	10.40	-	9.70
H1RA048S25,46	1400 1800	21,24	G1FA048S21	1600	45.5	33.5	10.00	-	9.45
		21	G1NA048S21D	1400	46.5	34.4	10.00	-	9.50
		21,24	G1UA048S21	1600	45.5	33.5	10.00	-	9.45
		21,24	G2FD048(S,H)21,24	1600	46.0	34.0	10.10	-	9.50
H3RA060S06	1600 2100	21,24	G1FA060S21,24	1800	56.0	40.2	10.50	-	9.35
		-	G1HD060	2000	55.5	40.0	10.50	-	9.15
		21	G1NA048S21D	1500	51.0	34.8	10.00	-	8.90
		24	G1NA060S24T	1800	55.0	39.8	10.50	-	9.25
		21,24	G1UA060S21,24	1800	56.0	40.2	10.50	-	9.35
		24	G2FD060(S,H)24	1800	56.0	40.2	10.50	-	9.35
		24	G2FD061H24	2000	57.0	40.9	10.50	-	9.35
H1RA060S25,46	1525 1975	21,24	G1FA060S21,24	1750	58.5	39.8	10.00	-	10.25
		24	G1NA060S24T	1750	57.5	39.1	10.00	-	10.00
		21,24	G1UA060S21,24	1750	58.5	39.8	10.00	-	10.25
		24	G2FD060(S,H)24	1750	58.5	39.8	10.00	-	10.25
H1RA076S25,46	2500-3000	35	G2FD090(S,H)35***	3200	73.5	52.9	--	--	10.00
H1RA090S25,46	2500-3000	35	G2FD090(S,H)35***	4000	90.0	64.8	--	--	9.35

1. TXV = Use 1TV700 Series Kit.

* Requires a 2FD Blower Time Delay unless a standard furnace is equipped with one.

** Refer to Quick Selection Chart for specific furnace match-up.

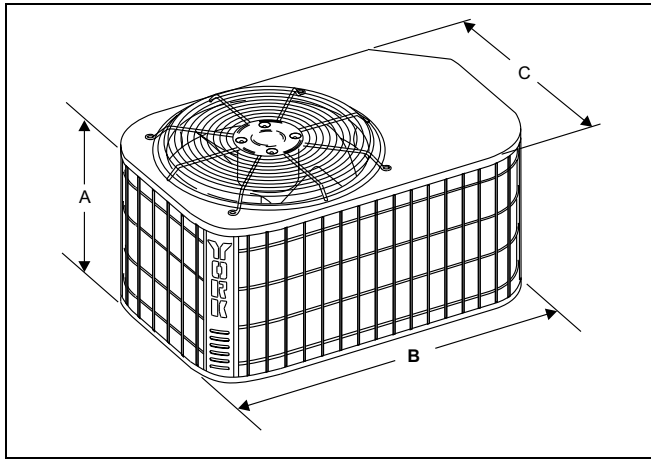
*** This coil is for upflow application only.

COOLING PERFORMANCE

MODEL	SUCT. T/P @ COMPR.		AIR TEMP ON CONDENSER						MODEL	SUCT. T/P @ COMPR.		AIR TEMP ON CONDENSER					
			75°F		95°F		115°F					75°F		95°F		115°F	
	TEMP.	PSIG	MBH	KW	MBH	KW	MBH	KW		TEMP.	PSIG	MBH	KW	MBH	KW	MBH	KW
H1RA018S06	35	61.5	16.2	1.66	13.1	1.84	11.0	1.96	H1RA048S06 H1RA048S(25,46)	35	61.5	39.9	4.18	32.3	4.63	27.0	4.94
	40	68.5	17.7	1.67	14.9	1.88	12.8	2.04		40	68.5	43.6	4.21	36.7	4.73	31.4	5.14
	45	76.0	19.3	1.69	16.7	1.92	14.2	2.11		45	76.0	47.6	4.26	41.1	4.84	34.9	5.32
	50	84.0	20.8	1.70	18.5	1.96	15.9	2.18		50	84.0	51.1	4.28	45.5	4.94	39.0	5.48
H1RA024S06	35	61.5	21.0	2.23	17.0	2.46	14.2	2.63	H3RA060S06	35	61.5	49.4	4.15	43.8	5.13	38.2	6.34
	40	68.5	22.9	2.24	19.3	2.52	16.5	2.74		40	68.5	54.0	4.19	48.2	5.14	42.3	6.35
	45	76.0	25.0	2.27	21.6	2.58	18.3	2.83		45	76.0	58.4	4.27	52.4	5.25	46.3	6.47
	50	84.0	26.8	2.28	23.9	2.63	20.5	2.92		50	84.0	62.7	4.32	56.9	5.38	50.2	5.61
H2RA030S06	35	61.5	25.1	2.68	20.3	2.97	17.0	3.17	H1RA060S(25,46)	35	61.5	54.4	4.46	50.5	4.74	46.3	5.08
	40	68.5	27.4	2.70	23.1	3.04	19.7	3.30		40	68.5	60.1	4.44	56.0	4.83	51.6	5.18
	45	76.0	29.9	2.74	25.8	3.10	21.9	3.41		45	76.0	65.8	4.53	61.6	4.92	56.9	5.26
	50	84.0	32.1	2.75	28.6	3.17	24.5	3.51		50	84.0	71.9	4.62	67.5	5.01	62.6	5.36
H2RA036S06 H1RA036S(25,46)	35	61.5	30.5	3.28	24.7	3.64	20.6	3.88	H1RA076S(25,46)	35	61.5	77.4	5.06	63.4	6.08	50.6	7.35
	40	68.5	33.3	3.31	28.1	3.72	24.0	4.04		40	68.5	84.5	5.21	69.2	6.23	55.4	7.49
	45	76.0	36.4	3.35	31.4	3.80	26.7	4.18		45	76.0	91.8	5.37	75.3	6.38	60.3	7.64
	50	84.0	39.1	3.36	34.8	3.88	29.9	4.31		50	84.0	99.4	5.54	81.7	6.55	65.6	7.80
H1RA042S06 H1RA042S(25,46)	35	61.5	35.8	3.83	28.9	4.25	24.2	4.53	H1RA090S(25,46)	35	61.5	84.0	8.28	72.9	9.11	61.7	9.87
	40	68.5	39.1	3.86	32.9	4.34	28.2	4.72		40	68.5	92.5	8.50	80.8	9.41	68.9	10.26
	45	76.0	42.6	3.90	36.8	4.53	31.3	4.87		45	76.0	101.3	8.73	89.0	9.72	76.5	10.66
	50	84.0	45.8	3.93	40.8	4.63	35.0	5.03		50	84.0	110.4	8.95	97.5	10.03	84.4	11.08

NOTES:

- For condensing unit only. Does not include effect of evaporator motor power or heat.
- Performance based on 15° superheat and 15° sub-cooling at condensing unit.
 - Increase capacity 1% for each 2° increase in sub-cooling.
 - Decrease capacity 1% for each 2° decrease in sub-cooling.
- Sub-cooling in excess of 20° may result in excessively high condensing temperature with air on condenser above 115°F. Maximum recommended condensing temperature is 140°F.



DIMENSIONS - 1 Phase

UNIT MODEL	DIMENSIONS (INCHES)			REFRIGERANT CONNECTION LINE SIZE	
	A ¹	B	C	Liquid	Vapor
018	17	35	23	3/8"	5/8**
024	17	35	23		5/8**
030	19	35	23		3/4"
036	19	35	23		3/4"
042	25	35	23		3/4"
048	27	37	27		7/8"
060	27	37	27		7/8"

1. Including Fan guard.

* Reducer Required.

DIMENSIONS - 3 Phase

UNIT MODEL	DIMENSIONS (INCHES)			REFRIGERANT CONNECTION LINE SIZE	
	A ¹	B	C	Liquid	Vapor
036	19	35	23	3/8"	3/4
042	25	35	23	3/8"	3/4
048	27	37	27	3/8"	7/8
060	39	37	27	3/8"	7/8
076	26	43	32	1/2	1-1/8
090	32	43	32	1/2	1-1/8

1. Including Fan guard.

* Reducer Required.

ACCESSORIES*

Refer to Price Manual for specific model numbers.

Hard Start Kit - Provides increased starting torque for areas with low voltage.

Compressor Blanket - Designed to further reduce the normal compressor operating sound. Refer to price pages for specific match-ups.

Off Cycle Timer Delay - Provides a 5-minute off cycle to prevent rapid recycling of the compressor.

Room Thermostats - A wide selection of compatible thermostats are available to provide optimum performance and features for any installation.

1 Heat Stage only, manual, mechanical thermostat. Add sub-base for 1H/1C.

1H/1C, manual change-over electronic non-programmable thermostat.

1H/1C, auto/manual changeover, electronic programmable, deluxe 7-day, thermostat.

1H/1C, auto/manual changeover, electronic programmable.

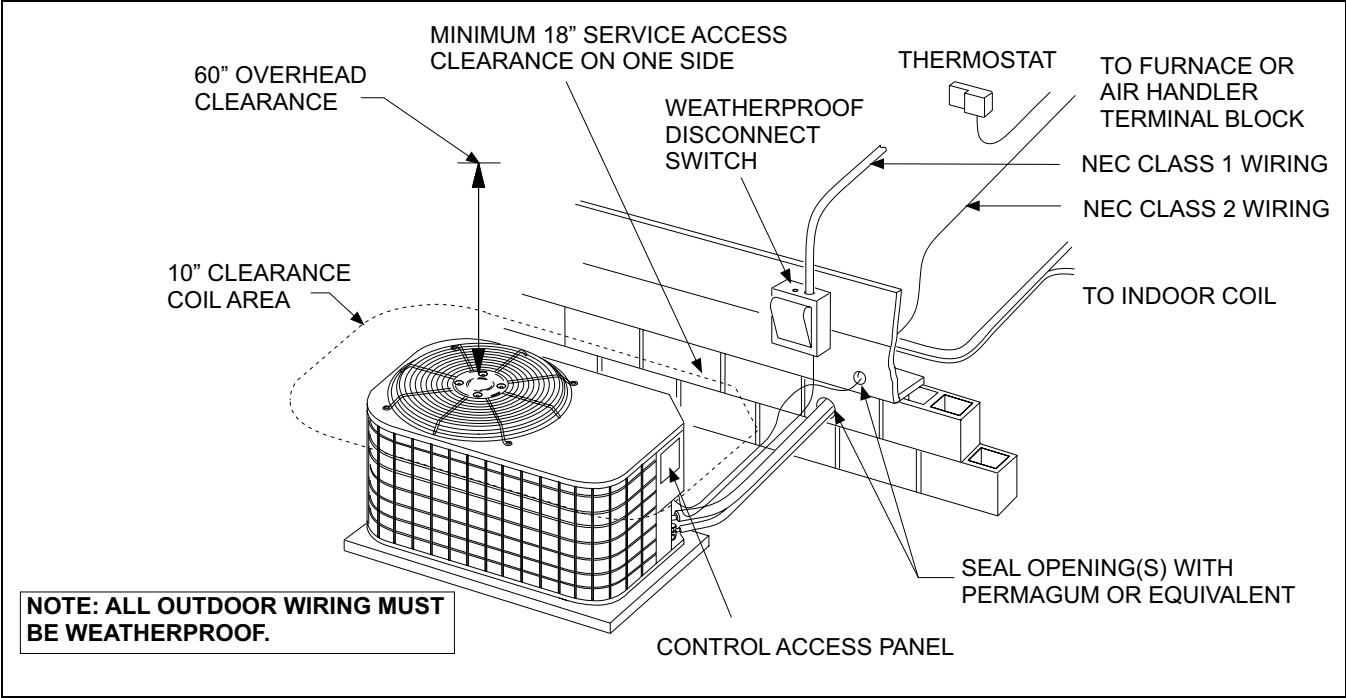
* For the most current accessory information, refer to the price book or consult factory.

SOUND RATINGS*

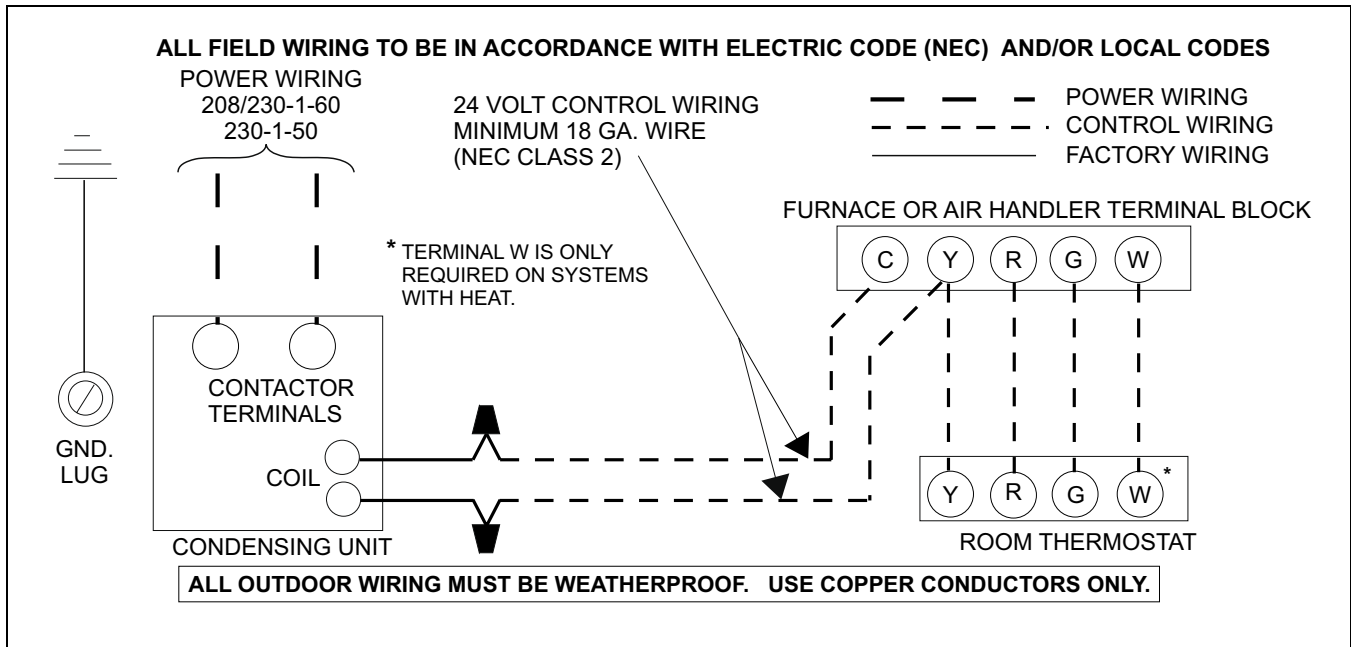
UNIT MODEL	SOUND RATINGS DECIBELS
018	7.6
024	7.8
030	8.2
036	8.2
042	8.2
048	8.2
060	8.0
076	--
090	9.0

*Rated in accordance with ARI Standard 270.

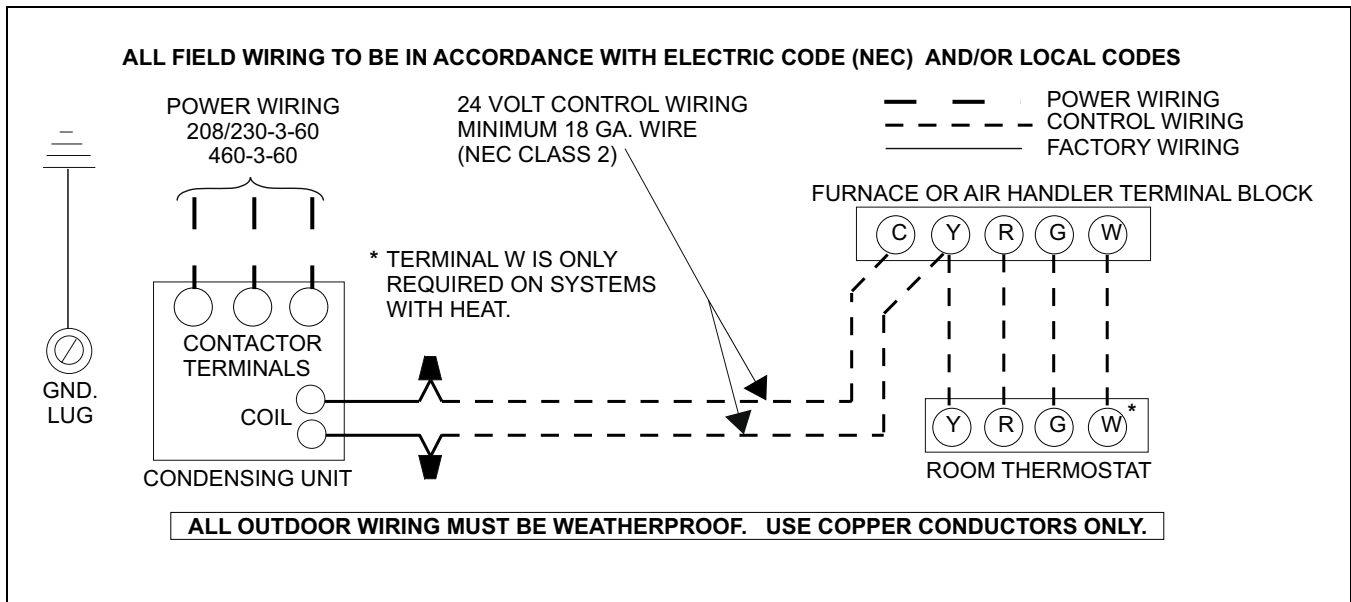
TYPICAL INSTALLATION



TYPICAL FIELD WIRING - 1 Phase Application



TYPICAL FIELD WIRING - 3 Phase Application



COOLING PERFORMANCE DATA										
AIR CONDITIONER MODEL NO.		H1RA018S06								
INDOOR COIL MODEL NO.		G1FA024S14,17								
CONDENSER ENTERING AIR TEMPERATURE	ID CFM	550			650			750		
	ID DB (°F)	85	80	70	85	80	70	85	80	70
	ID WB (°F)	72	67	57	72	67	57	72	67	57
75	T.C.	20.6	19.7	18.1	20.7	19.8	18.5	20.8	19.8	18.9
	S.C.	12.7	12.8	12.3	13.3	13.5	13.4	13.7	13.8	14.0
	K.W	1.68	1.65	1.64	1.72	1.71	1.70	1.75	1.74	1.73
85	T.C.	20.6	19.3	17.4	20.9	19.6	18.0	21.1	19.8	18.4
	S.C.	12.7	12.6	11.9	13.5	13.4	13.1	14.1	14.0	13.8
	K.W	1.58	1.54	1.53	1.62	1.59	1.58	1.65	1.63	1.62
95	T.C.	19.0	17.5	15.5	19.5	18.0	16.1	19.8	18.2	16.5
	S.C.	12.8	12.4	11.5	13.7	13.3	12.8	14.5	14.1	13.6
	K.W	1.97	1.91	1.90	2.02	1.96	1.95	2.05	2.00	1.99
105	T.C.	18.4	16.6	14.2	18.9	17.1	15.0	19.2	17.4	15.4
	S.C.	12.5	11.8	10.7	13.6	12.8	12.0	14.4	13.7	12.8
	K.W	1.82	1.77	1.75	1.88	1.82	1.80	1.91	1.86	1.83
115	T.C.	16.3	14.5	11.9	16.9	15.0	12.7	17.2	15.2	13.1
	S.C.	12.3	11.2	10.0	13.5	12.4	11.2	14.3	13.2	12.0
	K.W	2.24	2.19	2.14	2.31	2.24	2.19	2.35	2.28	2.22
125	T.C.	14.3	12.3	9.7	14.9	13.0	10.5	15.2	13.1	10.8
	S.C.	12.0	10.6	9.3	13.3	11.9	10.4	14.2	12.8	11.2
	K.W	2.66	2.61	2.53	2.74	2.66	2.58	2.79	2.70	2.61

NOTE: ALL CAPACITIES ARE NET WITH INDOOR FAN HEAT ALREADY DEDUCTED AT 1250 BTUH/1000 CFM

Multipliers for determining the performance with other indoor sections.

NOTE: For dry bulb temperatures different than those listed (between 73-87 F), sensible capacity increases by 1060 BTUH per 1000 CFM per degree above the listed temperature and decreases by 1060 BTUH per 1000 CFM per degree below the listed temperature.

Air Handler	Coil	T.C.	S.C.	KW
N1AHB0806	G2FD024(S,H)17	1.06	1.06	0.99
F2RC/F2FC024		0.97	0.97	0.99
	G1FA030S14	1.06	1.06	0.99
	G1HD024	1.03	1.03	0.95
	G1NA024S17G	1.00	0.94	0.98
	G1UA024S14,17	1.00	1.00	1.00
	G1UA030S14	1.06	1.06	0.99
	G2FD024(S,H)14,17	1.06	1.06	0.99
	G2FD030(S,H)17	1.08	1.08	1.00
	G2FD035(S,H)14	1.08	1.08	1.00

COOLING PERFORMANCE DATA													
AIR CONDITIONER MODEL NO.		H1RA024S06											
INDOOR COIL MODEL NO.		G1FA024S14, 17											
CONDENSER ENTERING AIR TEMPERATURE	ID CFM	600				800				1000			
	ID DB (°F)	85	80	75	70	85	80	75	70	85	80	75	70
	ID WB (°F)	72	67	62	57	72	67	62	57	72	67	62	57
75	T.C.	28.3	25.9	22.7	21.4	28.7	25.1	24.4	21.8	27.5	26.6	24.5	20.9
	S.C.	16.9	16.9	15.4	17.0	17.7	16.8	17.0	17.8	17.1	18.0	17.3	17.3
	K.W	2.04	1.94	1.78	1.78	2.05	1.87	1.89	1.80	1.97	1.98	1.89	1.72
85	T.C.	28.5	26.0	22.8	21.4	28.9	25.2	24.4	21.8	27.7	26.7	24.6	20.9
	S.C.	17.5	17.5	16.0	17.6	18.5	17.6	17.9	18.7	18.0	19.0	18.2	18.3
	K.W	2.25	2.14	1.95	1.95	2.28	2.06	2.07	1.96	2.18	2.18	2.07	1.88
95	T.C.	26.9	24.5	21.4	20.1	27.3	23.7	23.0	20.6	26.2	25.2	23.0	19.8
	S.C.	17.4	17.4	15.9	17.5	18.5	17.6	17.9	18.8	18.1	19.0	18.3	18.4
	K.W	2.42	2.28	2.06	2.06	2.44	2.20	2.20	2.08	2.34	2.32	2.21	1.99
105	T.C.	24.7	22.4	19.5	18.3	24.8	21.6	20.9	18.6	23.8	22.8	21.1	17.9
	S.C.	16.8	16.8	15.3	16.9	17.9	16.9	17.3	17.9	17.6	18.4	17.6	17.5
	K.W	2.52	2.37	2.15	2.14	2.54	2.30	2.29	2.17	2.43	2.43	2.30	2.07
115	T.C.	22.0	19.9	17.4	16.3	22.2	19.3	18.6	16.9	21.2	20.4	18.8	16.2
	S.C.	15.8	15.7	14.3	15.8	17.0	16.2	16.2	16.7	16.7	17.5	16.8	16.1
	K.W	2.60	2.45	2.23	2.20	2.63	2.36	2.37	2.25	2.51	2.50	2.37	2.17
125	T.C.	19.4	17.5	15.3	14.2	19.5	16.9	16.3	15.1	18.6	17.9	16.5	14.6
	S.C.	14.7	14.7	13.3	14.6	16.0	15.4	15.1	15.4	15.9	16.6	15.9	14.6
	K.W	2.68	2.53	2.31	2.26	2.71	2.43	2.44	2.33	2.59	2.57	2.44	2.27

NOTE: ALL CAPACITIES ARE NET WITH INDOOR FAN HEAT ALREADY DEDUCTED AT 1250 BTUH/1000 CFM.

Multipliers for determining the performance with other indoor sections.

NOTE: For dry bulb temperatures different than those listed (between 73-87 F), sensible capacity increases by 1060 BTUH per 1000 CFM per degree above the listed temperature and decreases by 1060 BTUH per 1000 CFM per degree below the listed temperature.

Air Handler	Coil	T.C.	S.C.	KW
N1AHB0806	G2FD024(S,H)14,17	0.98	0.98	0.91
N1AHB0806	G2FD030(S,H)17	1.00	1.00	0.93
F2RP/F2FP024		0.94	0.94	0.93
F2RP/F2FP030		0.94	0.95	0.93
	G1FA030S14	0.98	0.98	0.91
	G1HD024	0.93	0.93	0.94
	G1HD036	0.98	0.98	0.89
	G1NA030S17H	0.94	0.95	0.94
	G1NA030S21B	0.944	0.946	0.939
	G1UA024S14,17	0.95	0.95	0.93
	G1UA030S14	0.98	0.98	0.91
	G1UA036S17,21	1.00	1.00	1.00
	G2FD024(S,H)14,17	0.98	0.98	0.91
	G2FD030(S,H)17	1.00	1.00	0.93
	G2FD035(S,H)14	1.00	1.00	0.93
	G2FD036(S,H)17	1.02	1.02	0.94

COOLING PERFORMANCE DATA													
AIR CONDITIONER MODEL NO.		H2RA030S06											
INDOOR COIL MODEL NO.		G1FA036S17,21											
CONDENSER ENTERING AIR TEMPERATURE	ID CFM	800				1000				1200			
	ID DB (°F)	85	80	75	70	85	80	75	70	85	80	75	70
	ID WB (°F)	72	67	62	57	72	67	62	57	72	67	62	57
75	T.C.	33.9	31.1	28.7	25.6	34.4	31.5	29.1	26.0	34.7	31.8	29.4	26.3
	S.C.	20.5	20.6	19.7	20.7	21.4	21.4	20.6	21.6	22.2	22.2	21.4	22.5
	K.W	2.69	2.64	2.59	2.52	2.78	2.73	2.68	2.61	2.86	2.81	2.76	2.69
85	T.C.	33.0	30.2	27.8	24.9	33.4	30.6	28.2	25.5	33.7	30.9	28.5	25.9
	S.C.	20.6	20.7	19.9	20.9	21.6	21.7	20.9	22.1	22.6	22.6	21.7	23.0
	K.W	2.87	2.79	2.72	2.64	2.94	2.88	2.82	2.75	3.02	2.96	2.90	2.84
95	T.C.	31.3	28.7	26.4	23.7	31.7	29.0	26.7	24.1	31.9	29.2	27.1	24.4
	S.C.	20.3	20.4	19.5	20.8	21.5	21.5	20.7	21.6	22.4	22.5	21.7	22.7
	K.W	3.07	2.98	2.91	2.81	3.15	3.07	3.00	2.92	3.25	3.16	3.10	2.99
105	T.C.	29.3	26.7	24.6	22.0	29.5	27.0	25.0	22.4	29.7	27.2	25.2	23.1
	S.C.	19.9	19.9	19.2	20.0	21.0	21.0	20.1	21.1	22.1	22.1	21.1	22.2
	K.W	3.27	3.17	3.09	2.98	3.37	3.27	3.19	3.07	3.45	3.37	3.28	3.19
115	T.C.	26.9	24.5	22.6	20.3	27.1	24.8	22.9	21.0	27.2	25.1	23.1	21.4
	S.C.	19.2	19.1	18.3	19.1	20.3	20.3	19.3	20.2	21.2	21.2	20.2	20.6
	K.W	3.48	3.37	3.26	3.14	3.57	3.47	3.36	3.26	3.67	3.56	3.46	3.35
125	T.C.	24.5	22.3	20.7	18.6	24.7	22.6	20.9	19.6	24.7	23.0	21.1	19.7
	S.C.	18.5	18.3	17.4	18.2	19.6	19.6	18.4	19.3	20.3	20.3	19.3	19.0
	K.W	3.69	3.57	3.43	3.30	3.77	3.67	3.53	3.45	3.89	3.75	3.64	3.51

NOTE: ALL CAPACITIES ARE NET WITH INDOOR FAN HEAT ALREADY DEDUCTED AT 1250 BTUH/1000 CFM.

Multipliers for determining the performance with other indoor sections.

NOTE: For dry bulb temperatures different than those listed (between 73-87 F), sensible capacity increases by 1060 BTUH per 1000 CFM per degree above the listed temperature and decreases by 1060 BTUH per 1000 CFM per degree below the listed temperature.

Air Handler	Coil	T.C.	S.C.	KW
N1AHB1206	G2FD030(S,H)17	1.00	1.00	1.00
N1AHB1206	G2FD036(S,H)17	1.03	1.03	1.01
F2RP/F2FP030		0.98	0.98	0.97
F2RP/F2FP036		0.97	0.93	1.01
	G1FA030S14	0.97	0.96	0.98
	G1FA036S14	1.01	0.94	1.01
	G1HD036	1.02	1.02	1.01
	G1NA030S17K	1.00	0.95	1.02
	G1NA030S21M	1.00	0.95	1.03
	G1UA036S14	1.01	0.94	1.01
	G1UA036S17,21	1.00	1.00	1.00
	G2FD030(S,H)17	1.00	1.00	1.00
	G2FD035(S,H)14	1.00	1.00	1.00
	G2FD036(S,H)21	1.03	1.03	1.01

COOLING PERFORMANCE DATA										
AIR CONDITIONER MODEL NO.		H2RA036S06, H1RA036S(25,46)								
INDOOR COIL MODEL NO.		G1FA036S17,21								
CONDENSER ENTERING AIR TEMPERATURE	ID CFM	1150			1250			1350		
	ID DB (°F)	85	80	70	85	80	70	85	80	70
	ID WB (°F)	72	67	57	72	67	57	72	67	57
75	T.C.	38.3	36.1	34.4	37.9	36.3	34.6	38.0	36.4	34.9
	S.C.	24.0	23.7	24.0	24.1	24.5	24.7	24.7	25.3	25.2
	K.W	3.19	3.14	3.09	3.23	3.20	3.14	3.26	3.23	3.18
85	T.C.	36.9	34.6	32.2	36.9	34.9	32.6	37.0	35.2	33.0
	S.C.	24.2	23.7	22.9	24.7	24.6	23.9	25.3	25.5	24.8
	K.W	3.45	3.39	3.30	3.50	3.44	3.36	3.53	3.49	3.40
95	T.C.	35.5	33.2	30.0	35.8	33.6	30.4	36.0	34.0	31.0
	S.C.	24.3	23.6	21.9	25.4	24.9	23.6	26.0	25.6	24.4
	K.W	3.71	3.63	3.52	3.76	3.69	3.58	3.80	3.75	3.62
105	T.C.	33.2	30.4	26.7	33.4	30.8	27.2	33.6	31.3	27.7
	S.C.	23.7	22.5	20.7	24.5	23.6	21.9	25.4	24.6	23.0
	K.W	3.97	3.84	3.71	4.02	3.91	3.77	4.06	3.96	3.81
115	T.C.	31.0	27.6	23.5	31.1	28.2	24.2	31.3	28.5	24.4
	S.C.	23.1	21.3	19.6	23.9	22.6	20.7	24.8	23.7	21.6
	K.W	4.22	4.06	3.90	4.29	4.13	3.94	4.33	4.18	4.00
125	T.C.	28.7	24.8	20.2	28.9	25.6	21.1	29.0	25.7	21.0
	S.C.	22.5	20.2	18.4	23.2	21.6	19.6	24.2	22.7	20.2
	K.W	4.47	4.28	4.09	4.56	4.35	4.11	4.60	4.40	4.19

NOTE: ALL CAPACITIES ARE NET WITH INDOOR FAN HEAT ALREADY DEDUCTED AT 1250 BTUH/1000 CFM

Multipliers for determining the performance with other indoor sections.

NOTE: For dry bulb temperatures different than those listed (between 73-87 F), sensible capacity increases by 1060 BTUH per 1000 CFM per degree above the listed temperature and decreases by 1060 BTUH per 1000 CFM per degree below the listed temperature.

1 Phase

Air Handler	Coil	T.C.	S.C.	KW
N1AHB1206	G2FD036(S,H)17	1.01	1.00	1.00
N1AHB1206	G2FD046(S,H)17	1.02	1.02	1.00
F2RC/F2FC036		1.00	0.86	1.00
F2RP/F2FP036		1.02	1.01	1.00
F2RP/F2FP042		1.02	1.01	1.01
	G1FA036S14	1.00	1.00	1.00
	G1FA048S17	1.04	1.04	1.01
	G1FA048S21	1.07	1.07	1.04
	G1HD036	1.02	1.02	1.05
	G2FD046(S,H)17	1.02	1.02	1.00
	G1HD048	1.04	1.04	1.05
	G1NA036S17J	1.02	1.02	1.01
	G1NA036S21C	1.02	1.02	1.00
	G1UA036S14	1.00	1.00	1.00
	G1UA036S17,21	1.00	1.00	1.00
	G1UA048S17	1.04	1.04	1.01
	G1UA048S21	1.07	1.07	1.04
	G2FD035(S,H)14	0.99	0.99	0.99
	G2FD036(S,H)17	1.01	1.00	1.00
	G2FD036(S,H)21	1.01	1.00	1.00
	G2FD042(S,H)21	1.02	1.02	1.00

3 Phase

Air Handler	Coil	T.C.	S.C.	KW
N1AHB1246	G2FD036(S,H)17	1.00	1.00	0.98
N1AHB1246	G2FD046(S,H)21	1.02	1.02	1.00
F2RC/F2FC036		1.00	0.86	1.00
	G1FA048S21	1.07	1.07	1.04
	G1NA036S17J	1.02	1.02	1.01
	G1UA036S17,21	1.00	1.00	1.00
	G1UA048S21	1.07	1.07	1.04
	G2FD036(S,H)17	1.01	1.00	1.00
	G2FD036(S,H)21	1.01	1.00	1.00

COOLING PERFORMANCE DATA										
AIR CONDITIONER MODEL NO.		H1RA042S06, H1RA042S(25,46)								
INDOOR COIL MODEL NO.		G1FA048S21								
CONDENSER ENTERING AIR TEMPERATURE	ID CFM	1200			1400			1600		
	ID DB (°F)	85	80	70	85	80	70	85	80	70
	ID WB (°F)	72	67	57	72	67	57	72	67	57
75	T.C.	47.2	44.1	41.2	47.5	44.6	41.9	47.9	45.1	42.6
	S.C.	30.2	29.6	29.4	31.9	31.1	31.0	33.6	32.6	32.6
	K.W	3.90	3.85	3.78	4.05	3.99	3.94	4.19	4.14	4.09
85	T.C.	45.5	42.1	38.5	45.9	42.8	39.3	46.3	43.4	40.2
	S.C.	29.8	28.9	28.1	31.4	30.7	30.0	33.0	32.5	31.9
	K.W	4.13	4.06	3.96	4.28	4.21	4.13	4.43	4.36	4.29
95	T.C.	43.9	40.2	35.7	44.3	41.0	36.8	44.8	41.8	37.8
	S.C.	29.5	28.2	26.9	30.9	30.3	29.1	32.4	32.4	31.2
	K.W	4.36	4.27	4.14	4.52	4.43	4.31	4.67	4.59	4.49
105	T.C.	40.5	36.3	32.0	41.2	37.1	32.8	42.0	38.0	33.7
	S.C.	28.1	26.7	25.1	29.9	28.8	27.2	31.7	30.9	29.3
	K.W	4.58	4.44	4.30	4.74	4.60	4.47	4.89	4.77	4.64
115	T.C.	37.1	32.3	28.3	38.2	33.3	28.9	39.2	34.2	29.6
	S.C.	26.8	25.1	23.3	29.0	27.2	25.4	31.1	29.4	27.4
	K.W	4.81	4.62	4.45	4.96	4.78	4.62	5.10	4.95	4.79
125	T.C.	33.7	28.4	24.5	35.1	29.4	25.0	36.4	30.4	25.4
	S.C.	25.5	23.5	21.5	28.0	25.7	23.5	30.5	27.9	25.5
	K.W	5.04	4.79	4.61	5.18	4.96	4.78	5.32	5.13	4.94

NOTE: ALL CAPACITIES ARE NET WITH INDOOR FAN HEAT ALREADY DEDUCTED AT 1250 BTUH/1000 CFM.

Multipliers for determining the performance with other indoor sections.

NOTE: For dry bulb temperatures different than those listed (between 73-87 F), sensible capacity increases by 1060 BTUH per 1000 CFM per degree above the listed temperature and decreases by 1060 BTUH per 1000 CFM per degree below the listed temperature.

1 Phase

Air Handler	Coil	T.C.	S.C.	KW
N1AHC1606	G2FD042(S,H)21	0.96	0.96	0.99
N1AHC1606	G2FD048(S,H)21	1.00	1.00	1.01
F2RP/F2FP042		0.96	0.95	0.99
F2FP048		0.99	0.99	0.99
	G1FA048S17	0.98	1.00	1.00
	G1FA060S21,24	1.02	1.02	1.00
	G1HD048	0.99	0.99	1.01
	G1NA036S21C	0.98	0.93	0.99
	G1NA048S21D	0.99	0.94	1.00
	G1UA048S17	0.98	1.00	1.00
	G1UA048S21	1.00	1.00	1.00
	G1UA060S21,24	1.02	1.03	1.00
	G2FD042(S,H)21	0.96	0.96	0.99
	G2FD046(S,H)17	0.98	0.98	1.00
	G2FD048(S,H)21,24	1.00	1.00	1.01
	G2FD060(S,H)24	1.02	1.02	1.00

3 Phase

Air Handler	Coil	T.C.	S.C.	KW
N1AHC1646	G2FD042(S,H)21	0.98	0.99	1.00
N1AHC1646	G2FD048(S,H)21	0.99	1.01	1.01
F2RP/F2FP042		0.95	0.95	0.99
F2FP048		0.99	0.99	0.99
	G1FA060S21,24	1.02	1.02	1.00
	G1NA036S21C	0.98	0.93	0.99
	G1NA048S21D	0.99	0.94	1.00
	G1UA048S21	1.00	1.00	1.00
	G1UA060S21,24	1.02	1.03	1.00
	G2FD042(S,H)21	0.96	0.96	0.99
	G2FD046(S,H)17	0.98	0.98	1.00
	G2FD048(S,H)21,24	1.00	1.00	1.01

COOLING PERFORMANCE DATA													
AIR CONDITIONER MODEL NO.		H1RA048S06, H1RA048S(25,46)											
INDOOR COIL MODEL NO.		G1FA048S21											
CONDENSER ENTERING AIR TEMPERATURE	ID CFM	1200				1400				1600			
	ID DB (°F)	85	80	75	70	85	80	75	70	85	80	75	70
	ID WB (°F)	72	67	62	57	72	67	62	57	72	67	62	57
75	T.C.	53.4	48.9	45.1	40.2	54.3	49.8	45.9	41.3	54.9	50.3	46.4	41.8
	S.C.	32.2	32.3	31.0	32.5	34.0	34.0	32.7	34.7	35.2	35.3	33.9	35.9
	K.W	4.32	4.15	4.00	3.83	4.44	4.26	4.11	3.95	4.53	4.36	4.21	4.04
85	T.C.	52.0	47.5	43.7	39.2	52.7	48.3	44.5	40.0	53.2	48.7	45.2	40.5
	S.C.	32.2	32.3	31.1	32.7	34.1	34.1	32.8	34.7	35.4	35.5	34.5	36.0
	K.W	4.62	4.43	4.26	4.07	4.74	4.55	4.38	4.18	4.84	4.65	4.48	4.28
95	T.C.	49.0	44.9	41.3	36.9	49.6	45.5	42.0	37.6	50.0	45.8	42.4	38.3
	S.C.	31.6	31.6	30.4	31.8	33.5	33.7	32.4	33.8	34.9	35.0	33.7	35.6
	K.W	4.91	4.70	4.51	4.31	5.02	4.81	4.64	4.43	5.13	4.92	4.74	4.53
105	T.C.	45.6	41.6	38.4	34.3	46.0	42.2	39.0	35.0	46.2	42.5	39.3	36.2
	S.C.	30.5	30.6	29.5	30.9	32.6	32.8	31.5	32.8	34.1	34.2	32.7	34.5
	K.W	5.18	4.96	4.76	4.54	5.30	5.07	4.88	4.67	5.39	5.18	4.99	4.83
115	T.C.	41.8	38.3	35.3	31.7	42.3	38.8	35.8	33.0	42.5	39.0	36.2	33.5
	S.C.	29.3	29.5	28.2	29.6	31.6	31.4	30.1	31.5	33.0	32.9	31.5	32.0
	K.W	5.42	5.18	4.98	4.76	5.52	5.31	5.10	4.94	5.63	5.41	5.21	5.06
125	T.C.	38.0	35.0	32.3	29.1	38.6	35.4	32.7	31.0	38.8	35.5	33.2	30.8
	S.C.	28.1	28.4	26.9	28.3	30.6	30.0	28.7	30.2	31.9	31.6	30.4	29.5
	K.W	5.66	5.40	5.20	4.98	5.74	5.55	5.32	5.21	5.87	5.64	5.43	5.29

NOTE: ALL CAPACITIES ARE NET WITH INDOOR FAN HEAT ALREADY DEDUCTED AT 1250 BTUH/1000 CFM.

Multipliers for determining the performance with other indoor sections.

NOTE: For dry bulb temperatures different than those listed (between 73-87 F), sensible capacity increases by 1060 BTUH per 1000 CFM per degree above the listed temperature and decreases by 1060 BTUH per 1000 CFM per degree below the listed temperature.

1 Phase

Air Handler	Coil	T.C.	S.C.	KW
N1AHC1606	G2FD048(S,H)21	1.01	1.01	1.01
N1AHD2006	G2FD060(S,H)24	1.03	1.03	1.01
F2FP048		1.00	1.00	1.03
F2FP060		1.02	1.02	1.00
	G1FA048S17	0.98	0.99	1.01
	G1FA060S21,24	1.03	1.03	1.01
	G1HD048	1.00	1.00	0.99
	G1HD060	1.02	1.02	1.00

3 Phase

Air Handler	Coil	T.C.	S.C.	KW
N1AHC1646	G2FD048(S,H)21	1.01	1.01	1.00
N1AHD2046	G2FD048(S,H)24	1.01	1.01	1.00
N1AHD2046	G2FD060(S,H)24	1.03	1.03	1.00
F2FP048		1.00	1.00	1.03
	G1FA048S21	1.00	1.00	1.00
	G1NA048S21D	1.02	1.02	1.02
	G1UA048S21	1.00	1.00	1.00
	G2FD048(S,H)21,24	1.01	1.01	1.01

COOLING PERFORMANCE DATA										
AIR CONDITIONER MODEL NO.		H3RA060S06								
INDOOR COIL MODEL NO.		G1FA060S21,24								
CONDENSER ENTERING AIR TEMPERATURE	ID CFM	2050			1800			1550		
	ID DB (°F)	85	80	70	85	80	70	85	80	70
	ID WB (°F)	72	67	57	72	67	57	72	67	57
		T.C.	S.C.	K.W	T.C.	S.C.	K.W	T.C.	S.C.	K.W
75	T.C.	64.7	61.9	58.2	64.1	61.2	57.2	63.6	60.5	56.2
	S.C.	46.3	44.9	42.9	43.3	42.1	40.3	40.3	39.3	37.7
	K.W	5.18	5.13	5.03	5.08	5.02	4.92	4.97	4.91	4.81
85	T.C.	62.8	59.6	55.4	62.3	58.6	54.3	61.8	57.6	53.3
	S.C.	45.9	44.3	41.9	42.8	41.2	39.2	39.7	38.2	36.5
	K.W	4.94	4.86	4.77	5.58	5.50	5.40	5.48	5.40	5.28
95	T.C.	60.9	57.3	52.7	60.4	56.0	51.5	59.9	54.7	50.3
	S.C.	45.7	43.5	40.8	42.4	40.2	38.0	39.2	37.0	35.2
	K.W	6.19	6.10	6.00	6.09	5.99	5.87	5.98	5.88	5.74
105	T.C.	57.2	53.4	48.4	56.6	52.3	47.4	56.0	51.1	46.4
	S.C.	44.6	42.1	39.3	41.3	39.0	36.6	38.0	35.9	33.8
	K.W	6.82	6.70	6.56	6.71	6.59	6.44	6.60	6.47	6.31
115	T.C.	53.5	49.5	44.1	52.8	48.5	43.3	52.1	47.5	42.4
	S.C.	43.6	40.5	37.7	40.2	37.6	35.1	36.8	34.7	32.4
	K.W	7.47	7.32	7.14	7.35	7.19	7.01	7.22	7.06	6.88
125	T.C.	49.8	45.6	39.9	49.0	44.8	39.2	48.2	43.9	38.5
	S.C.	42.5	39.0	36.1	39.0	36.3	33.6	35.6	33.6	31.0
	K.W	8.12	7.94	7.72	7.99	7.79	7.58	7.84	7.65	7.45

NOTE: ALL CAPACITIES ARE NET WITH INDOOR FAN HEAT ALREADY DEDUCTED AT 1250 BTUH/1000 CFM.

Multipliers for determining the performance with other indoor sections.

NOTE: For dry bulb temperatures different than those listed (between 73-87 F), sensible capacity increases by 1060 BTUH per 1000 CFM per degree above the listed temperature and decreases by 1060 BTUH per 1000 CFM per degree below the listed temperature.

Air Handler	Coil	T.C.	S.C.	KW
N1AHD2006	G2FD060(S,H)24	1.00	1.00	1.00
F2FP060		1.00	1.02	1.02
	G1HD060	0.99	1.00	1.01
	G1NA048S21D	0.91	0.87	0.96
	G1NA060S24T	0.98	0.99	0.99
	G1UA060S21,24	1.00	1.00	1.00
	G2FD060(S,H)24	1.00	1.00	1.00
	G2FD061H24	1.02	1.02	1.02

COOLING PERFORMANCE DATA										
AIR CONDITIONER MODEL NO.		H1RA060S(25,46)								
INDOOR COIL MODEL NO.		G2FD060S24A								
CONDENSER ENTERING AIR TEMPERATURE	ID CFM	1450			1700			1950		
	ID DB (°F)	85	80	70	85	80	70	85	80	70
	ID WB (°F)	72	67	57	72	67	57	72	67	57
75	T.C.	61.2	58.5	56.3	61.8	59.1	56.9	62.3	59.6	57.5
	S.C.	37.6	37.4	37.1	40.1	39.9	39.5	42.5	42.3	41.8
	K.W	4.66	4.57	4.51	4.67	4.58	4.53	4.68	4.58	4.55
85	T.C.	60.6	58.0	55.0	61.2	58.6	55.8	61.9	59.3	56.7
	S.C.	37.6	37.3	36.5	40.2	39.9	39.1	42.8	42.5	41.7
	K.W	5.26	5.13	5.08	5.27	5.14	5.10	5.28	5.15	5.11
95	T.C.	60.0	57.4	53.7	60.7	58.5	54.8	61.4	59.0	55.8
	S.C.	37.5	37.1	35.9	40.3	39.8	38.8	43.1	42.6	41.6
	K.W	5.86	5.70	5.65	5.87	5.71	5.67	5.88	5.72	5.68
105	T.C.	58.1	54.6	50.0	58.9	55.7	51.3	59.7	56.8	52.7
	S.C.	36.9	36.0	34.4	39.8	39.0	37.3	42.7	41.9	40.2
	K.W	6.54	6.39	6.29	6.56	6.42	6.30	6.57	6.45	6.32
115	T.C.	56.2	51.8	46.3	57.1	53.2	47.9	57.9	54.5	49.5
	S.C.	36.2	34.9	32.9	39.3	38.1	35.9	42.3	41.2	38.8
	K.W	7.23	7.07	6.92	7.25	7.12	6.94	7.26	7.17	6.97
125	T.C.	54.3	49.0	42.6	55.2	50.6	44.5	56.2	52.3	46.4
	S.C.	35.6	33.8	31.4	38.7	37.2	34.4	41.9	40.5	37.4
	K.W	7.92	7.76	7.55	7.94	7.83	7.58	7.96	7.90	7.62

Multipliers for determining the performance with other indoor sections.

NOTE: For dry bulb temperatures different than those listed (between 73-87 F), sensible capacity increases by 1060 BTUH per 1000 CFM per degree above the listed temperature and decreases by 1060 BTUH per 1000 CFM per degree below the listed temperature.

Air Handler	Coil	T.C.	S.C.	KW
N1AHD2046	G2FD060(S,H)24	1.00	1.00	1.00
F2FP060		1.00	1.00	1.05
	G1FA060S21,24	1.00	1.00	1.00
	G1NA060S24T	0.98	0.98	1.01
	G1UA060S21,24	1.00	1.00	1.00

COOLING PERFORMANCE DATA										
AIR CONDITIONER MODEL NO.		H1RA076S(25,46)								
INDOOR COIL MODEL NO.		K4EV090								
CONDENSER ENTERING AIR TEMPERATURE	ID CFM	2100			2600			3100		
	ID DB (°F)	85	80	70	85	80	70	85	80	70
	ID WB (°F)	72	67	57	72	67	57	72	67	57
75	T.C.	79.1	76.3	73.9	82.0	79.2	76.9	84.9	82.0	79.9
	S.C.	48.8	48.6	48.1	55.4	55.3	54.7	62.0	61.9	61.3
	K.W	5.98	5.90	5.84	6.28	6.18	6.15	6.58	6.48	6.46
85	T.C.	76.4	73.7	70.6	79.1	76.3	73.4	81.7	79.0	76.2
	S.C.	47.9	47.6	46.8	54.7	54.4	53.5	61.5	61.2	60.3
	K.W	6.53	6.42	6.37	6.86	6.74	6.70	7.18	7.07	7.04
95	T.C.	73.8	71.1	67.2	76.1	73.5	69.9	78.4	75.9	72.6
	S.C.	47.1	46.7	45.4	54.0	53.6	52.4	60.9	60.4	59.4
	K.W	7.08	6.94	6.90	7.43	7.30	7.26	7.79	7.65	7.61
105	T.C.	71.1	67.4	62.6	73.1	69.7	65.2	75.1	72.0	67.7
	S.C.	46.4	45.4	43.7	53.1	52.2	50.5	59.8	58.9	57.2
	K.W	7.84	7.70	7.61	8.21	8.08	7.99	8.57	8.46	8.36
115	T.C.	68.4	63.7	58.0	70.0	67.0	60.4	71.7	68.2	62.9
	S.C.	45.4	44.1	42.0	52.0	51.9	48.5	58.6	57.5	55.0
	K.W	8.59	8.46	8.32	8.97	8.80	8.71	9.36	9.28	9.10
125	T.C.	65.6	60.1	53.4	67.0	64.3	55.7	68.4	64.3	58.1
	S.C.	44.5	42.7	40.2	51.0	51.6	46.5	57.5	56.0	52.8
	K.W	9.35	9.21	9.02	9.74	9.51	9.43	10.14	10.09	9.84

NOTE: ALL CAPACITIES ARE NET WITH INDOOR FAN HEAT ALREADY DEDUCTED AT 1250 BTUH/1000 CFM.

Multipliers for determining the performance with other indoor sections.

NOTE: For dry bulb temperatures different than those listed (between 73-87 F), sensible capacity increases by 1060 BTUH per 1000 CFM per degree above the listed temperature and decreases by 1060 BTUH per 1000 CFM per degree below the listed temperature.

Coil	T.C.	S.C.	KW
G2FD090(S,H)35	1.00	0.99	1.01

COOLING PERFORMANCE DATA										
AIR CONDITIONER MODEL NO.		H1RA090S(25,46)								
INDOOR COIL MODEL NO.		K4EV090								
CONDENSER ENTERING AIR TEMPERATURE	ID CFM	2400			3000			3600		
	ID DB (°F)	85	80	70	85	80	70	85	80	70
	ID WB (°F)	72	67	57	72	67	57	72	67	57
75	T.C.	104.2	97.2	90.1	108.1	100.5	92.8	112.1	103.8	95.5
	S.C.	76.5	71.0	65.6	78.7	72.8	66.9	81.0	74.6	68.2
	K.W	8.30	8.21	8.13	8.33	8.25	8.18	8.36	8.29	8.23
85	T.C.	99.1	92.4	85.8	102.0	94.7	87.5	104.8	97.0	89.1
	S.C.	72.5	67.4	62.3	74.0	68.4	62.8	75.5	69.4	63.4
	K.W	8.97	8.86	8.75	9.01	8.90	8.79	9.04	8.94	8.84
95	T.C.	94.0	87.7	81.5	95.8	89.0	82.1	97.5	90.1	82.7
	S.C.	68.6	63.8	59.0	69.3	64.0	58.7	70.0	64.2	58.5
	K.W	9.64	9.50	9.37	9.68	9.55	9.41	9.72	9.59	9.45
105	T.C.	88.2	82.2	76.1	89.8	83.9	77.9	91.4	85.6	79.7
	S.C.	68.7	63.7	58.7	69.2	64.3	59.4	69.8	64.9	60.1
	K.W	10.33	10.14	9.96	10.38	10.21	10.03	10.43	10.27	10.10
115	T.C.	82.5	76.6	70.8	83.9	78.8	73.8	85.3	81.0	76.7
	S.C.	59.9	55.4	50.9	60.2	56.3	52.4	60.5	57.2	53.9
	K.W	11.02	10.79	10.55	11.08	10.87	10.65	11.14	10.95	10.76
125	T.C.	76.7	71.1	65.5	78.0	73.8	69.6	79.2	76.5	73.7
	S.C.	55.5	51.2	46.8	55.7	52.4	49.2	55.8	53.7	51.6
	K.W	11.71	11.43	11.15	11.78	11.53	11.28	11.86	11.63	11.41

NOTE: ALL CAPACITIES ARE NET WITH INDOOR FAN HEAT ALREADY DEDUCTED AT 1250 BTUH/1000 CFM.

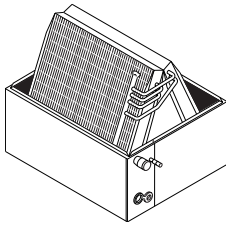
Multipliers for determining the performance with other indoor sections.

NOTE: For dry bulb temperatures different than those listed (between 73-87 F), sensible capacity increases by 1060 BTUH per 1000 CFM per degree above the listed temperature and decreases by 1060 BTUH per 1000 CFM per degree below the listed temperature.

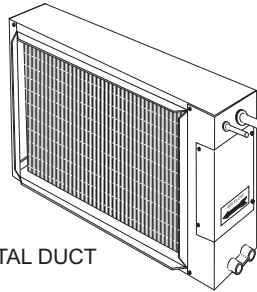
Coil	T.C.	S.C.	KW
G2FD090(S,H)35	1.01	1.01	1.01

MATCHING INDOOR COMPONENTS

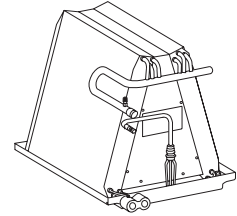
ADD-ON COILS - FOR FURNACE APPLICATIONS



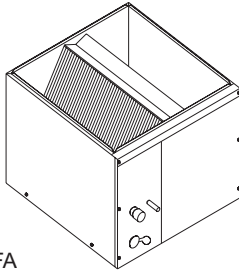
G1UA
1/2 CASED
UPFLOW



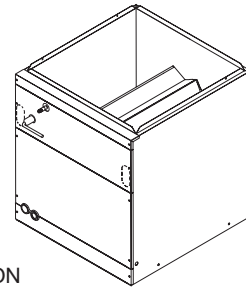
G1HD
HORIZONTAL DUCT



G1NA
UNCASED
UPFLOW



G1FA
FULL CASED
UPFLOW



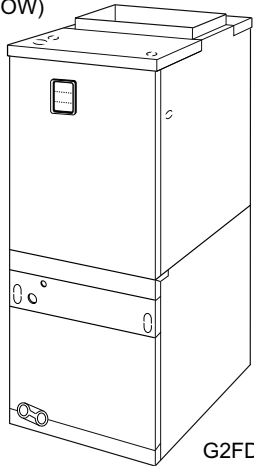
G2FD*
MULTI-POSITION
(UPFLOW, HORIZONTAL
AND DOWNFLOW)

G2FD090 is upflow only.

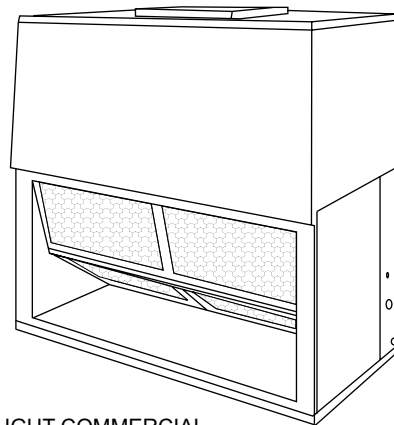
* Available with factory installed horizontal drain pan.

AIR HANDLERS - FOR NON-FURNACE APPLICATIONS

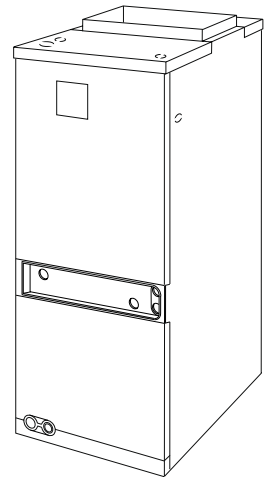
N1AH OR N1VS
MODULAR BLOWER
(UPFLOW, HORIZONTAL
AND DOWNFLOW)



G2FD
COIL



LIGHT COMMERCIAL
APPLICATIONS



F2RC / F2FC OR
F2RC / F2FP
FAN COIL UNITS
(UPFLOW, HORIZONTAL)

NOTES

Subject to change without notice. Printed in U.S.A.
Copyright © by York International Corp. 2003. All rights reserved.

036-21121-002 Rev. B (0103)
Supersedes: 036-21121-002 Rev. A (0602)

Unitary	5005	Norman
Products	York	OK
Group	Drive	73069